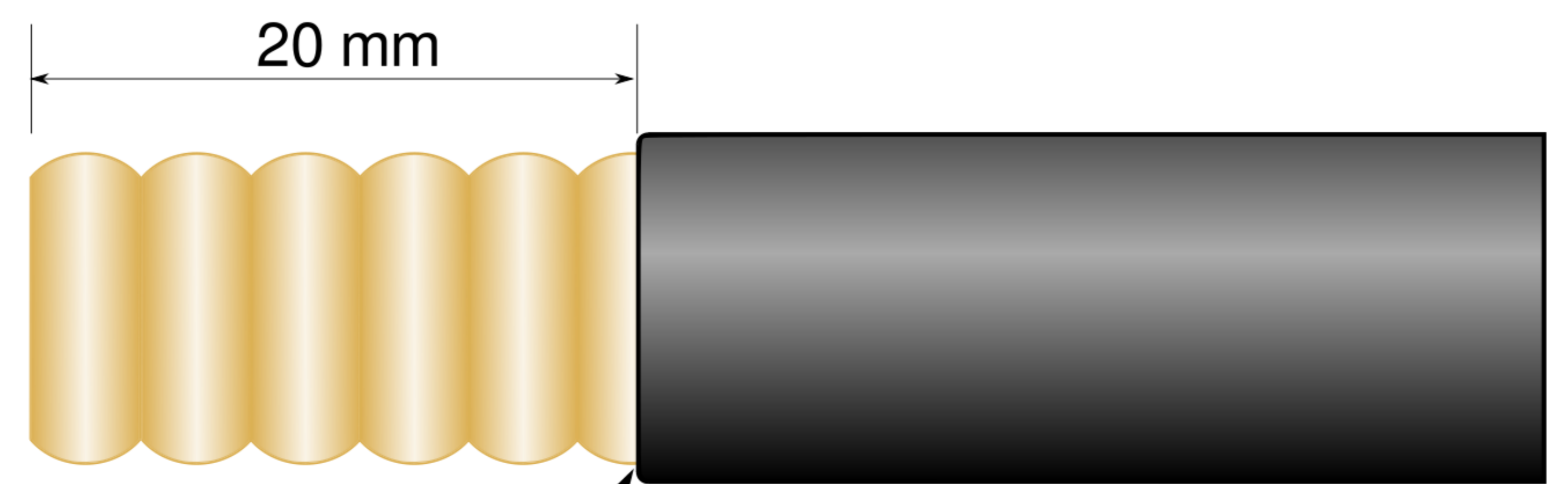


# Fitting Instructions for 1/4" Corrugated Hardline Connectors N Type Male

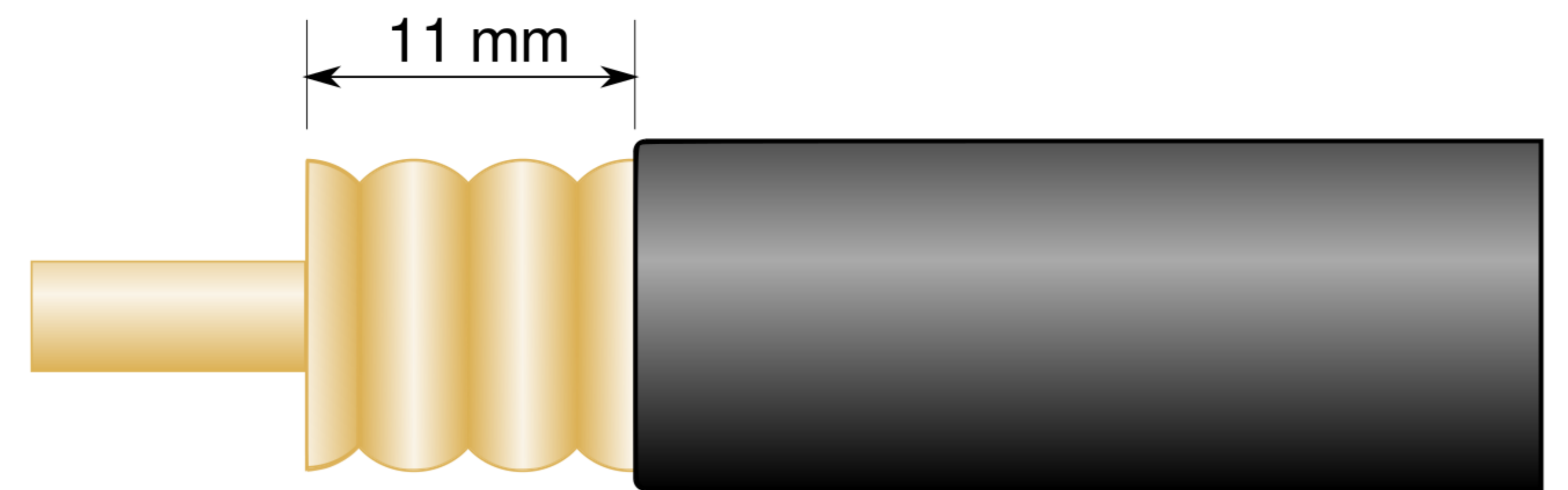
For cable type LDF1-50 and LCF14-50J corrugated coaxial cables

Prepare cable by cutting the end squarely then trim back outer jacket and remove approximately 20 mm, ensuring the jacket is trimmed from the top of the corrugation

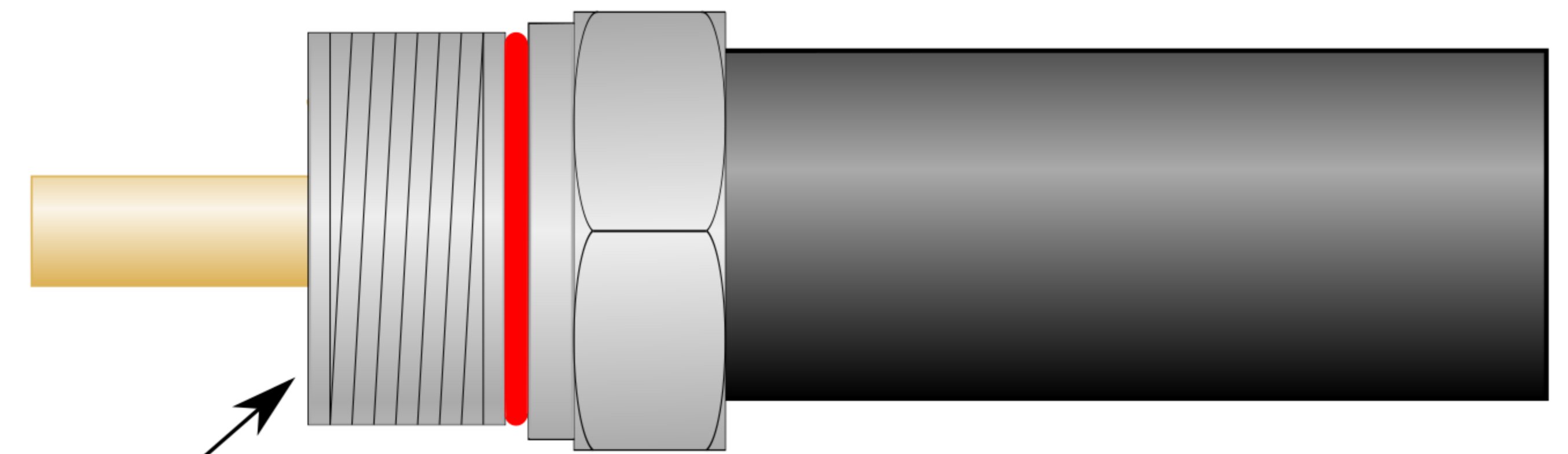


Trim from top of the corrugation

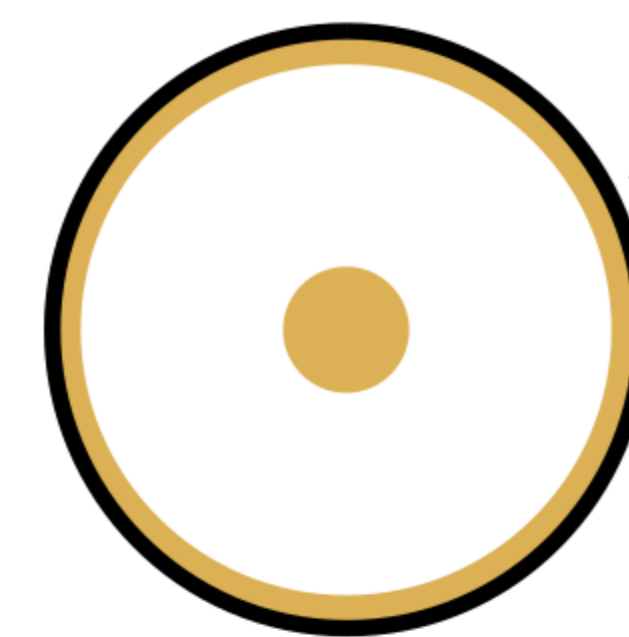
With a sharp knife, trim the copper screen and dielectric foam at the top of the corrugation so that 11mm is remaining



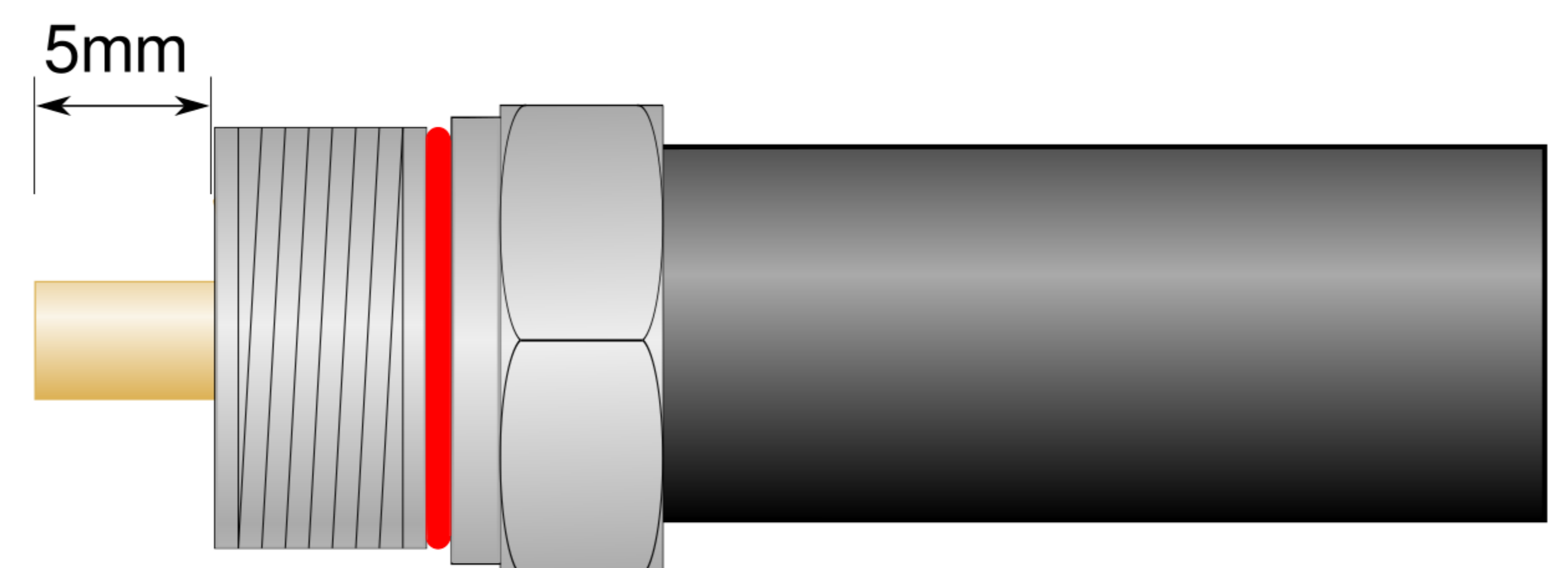
Firmly push the locking nut onto the cable, ensuring that the finger stock is seated in a valley of the cable screen



Use a small screwdriver, or flaring tool if available, to expand the copper screen away from the dielectric, ensuring that it is round and free from any deformation.



Cut the centre conductor so that 5mm is protruding from the dielectric. Ensure the end of the centre conductor is flat and clean of debris or dielectric material



With two spanners, hold the connector body stationary and tighten the locking nut

